



October 1, 2008

Installing Bracket Hangers

The Hanging Bracket hardware kit includes the following:

1. 4 steel angle brackets. The vertical leg has a slotted hole and the horizontal leg has a small hole for attaching to the framing of the markerboard.
2. 4 plastic anchors for inserting into the wall to receive the drywall screws
3. 4 – 1 5/8" long drywall screws
4. 4 - #6 x 3/8" self tapping sheet metal screws for attaching the markerboard to the angle brackets.

Note: The responsibility for determining the amount of fastening required to safely attach the markerboard to any wall surface is the customer's. DDS is not able to evaluate the pullout of the fastener, condition of the wall, or the quality of the installation. Normal 1/2" drywall in good condition will hold a markerboard with a bottom and top bracket every 24" maximum. If in doubt that this will be adequate for your conditions, we will supply additional brackets and fasteners. If possible, always install the drywall fasteners into framing. If the drywall is not in good condition, use toggle-type fasteners. 1/4" thick markerboards weigh approximately 2.5 lbs. per sf, and 1/2" thick boards are 3.5 lbs. per sf.

Installation:

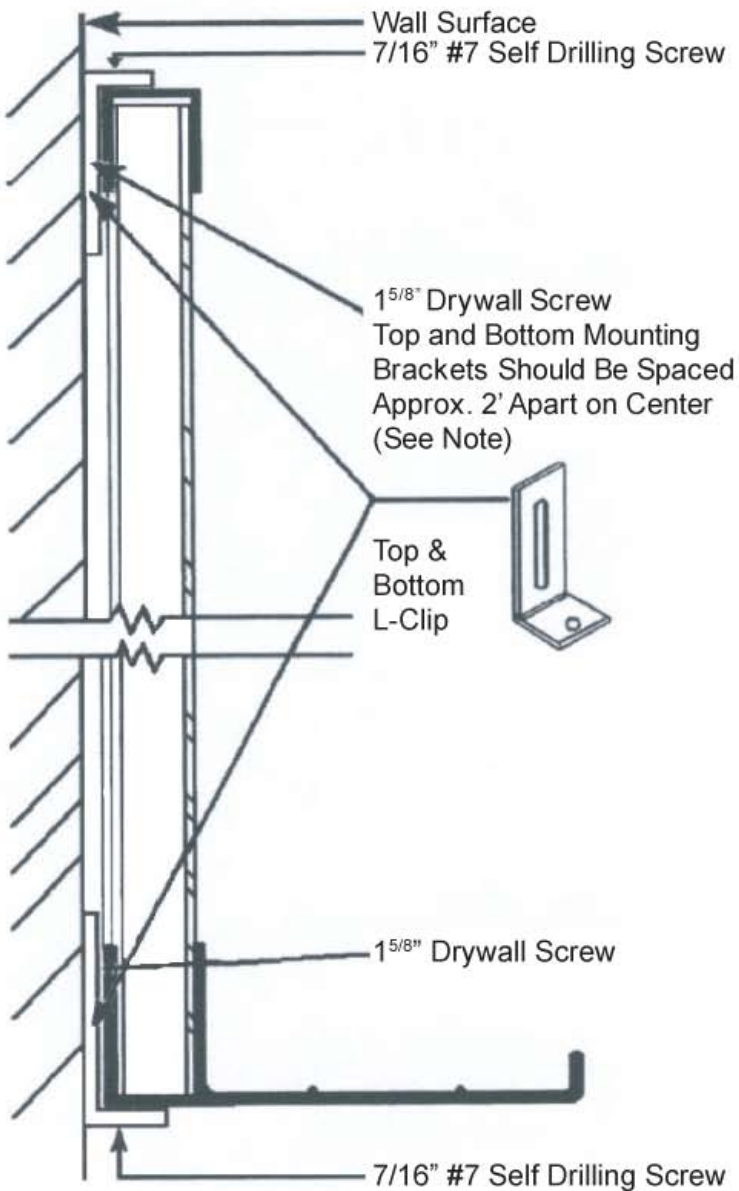
1. Determine the distance to the **BOTTOM** of the board. Mark that distance, and with a level draw a horizontal line the distance of the width of the board.
2. Install an angle bracket with the horizontal leg or bottom of the bracket on the horizontal line. Install the anchor and screw combination at the **TOP** of the slot in the vertical leg of the bracket. Set the fastener tight into the anchor.
3. Brackets should be no farther apart than 24". Locate them along the horizontal line close to equidistant from the vertical edges of the board.
4. Measure from the bottom horizontal line up the distance of the height of the board plus 1/4" and mark that distance. Using the level draw another line at that distance.

5. Install an opposing bracket with the vertical leg facing down. The horizontal leg should be on the top line and the fastener must be in about the middle of the slot on the vertical leg. DO NOT tighten the fastener – make tight enough to stay in place, but not so tight that it cannot be tapped downward on to the top edge of the board.
6. Place the bottom edge of the markerboard on the top of the bottom brackets and hold it against the wall and under the horizontal leg of the top brackets.
7. Using the self tapping sheet metal screws, put the screw through the hole in the horizontal leg of the bracket into the outside edge of the framing that is resting on the bracket.
8. Continuing to hold the board in a vertical position, tap the top brackets down on to the top edge of the board. Install self tapping screws through the hole in the horizontal leg of the bracket into the top edge of the framing.

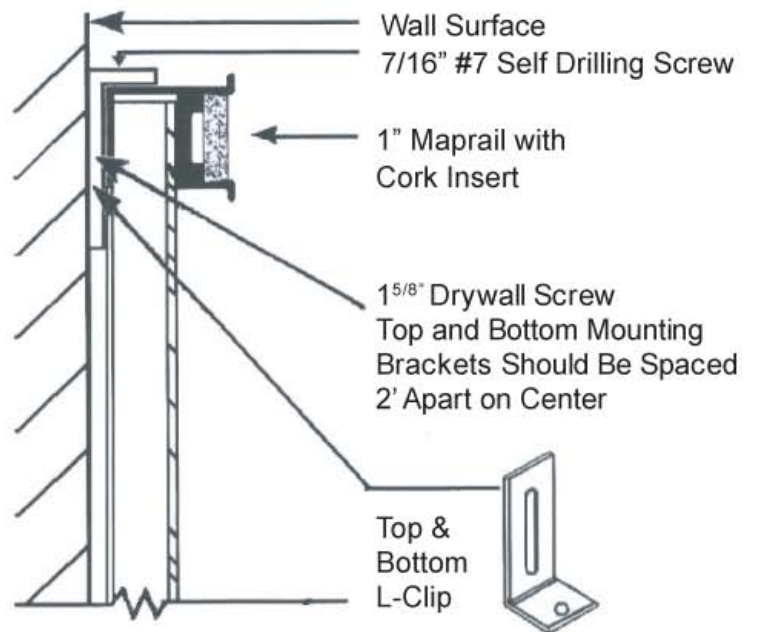
The installation is complete. Check the fasteners and the anchors to make sure they are properly installed and there is no movement or working of the fasteners.

Marker Board Hanging Details

MARKER BOARDS STANDARD TRIM AND TRAY



MARKER BOARDS STANDARD TRIM AND MAP RAIL



Note:

1. Unless specified, whiteboards are 1/4" thick up to 48"x36". If either dimension exceeds this, then the boards are 1/2" thick.
2. Plastic anchors are provided for installation in masonry. On framed walls, brackets should be fastened directly into studs.